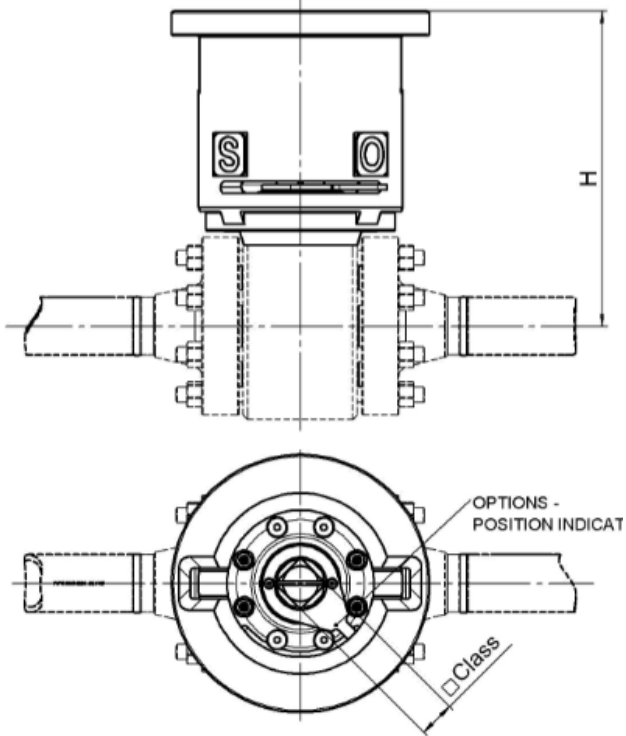


Technical specifications

Design	<ul style="list-style-type: none">• Quarter turn operation• Static device to maintain electrical continuity to all metal parts• Solid travel end stop, none adjustable and always reliable
Applicable design codes and guideline	<ul style="list-style-type: none">• ISO 13628-4 / API 17D• ISO 13628-8 / API 17H• ISO 14723 / API6DSS• Forschungskuratorium Maschinenbau (FKM)
Material	<ul style="list-style-type: none">• Operator torque train parts, Adapter flange, lever arm, stem adapter and travel stop is made selectable from NORSOK M630 MDS, certification according to EN 10204 3.1• ROV bucket and T-handle is manufactured from orange modified PA6/12, produced via the anionic polymerization process using the monomer's Caprolactam and Laurinlactam. It has reduced water absorption and improved stability and impact strength.
Other technical product advantages	<ul style="list-style-type: none">• Modular design allowing different operators on same type of valve• Adaptive to customize your applications• Recyclable in refurbishment program
NOTE.:	<ul style="list-style-type: none">• Valve ordered separately, from own product code• Spares available on request• Subject to technical modifications.

FIG. 3 – OPERATOR INTERFACE

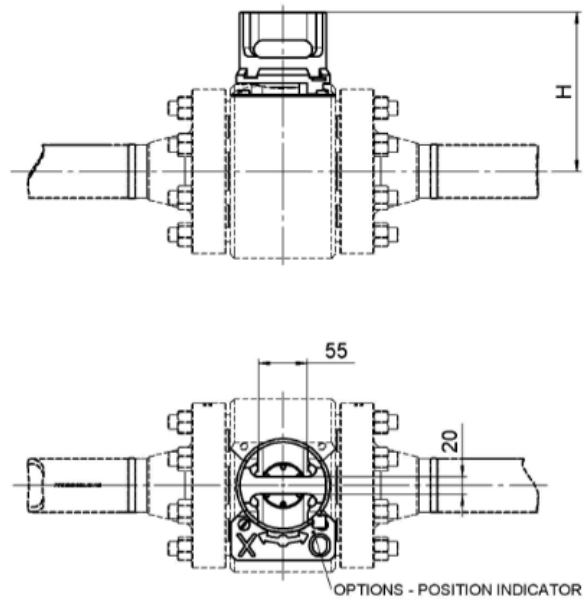
(40,41) ISO 13628-8 Class 3 & 4



SIZE – DN	46	TBA	TBA
H [mm]	330	-	-
WEGHT [kg]	10,8	-	-

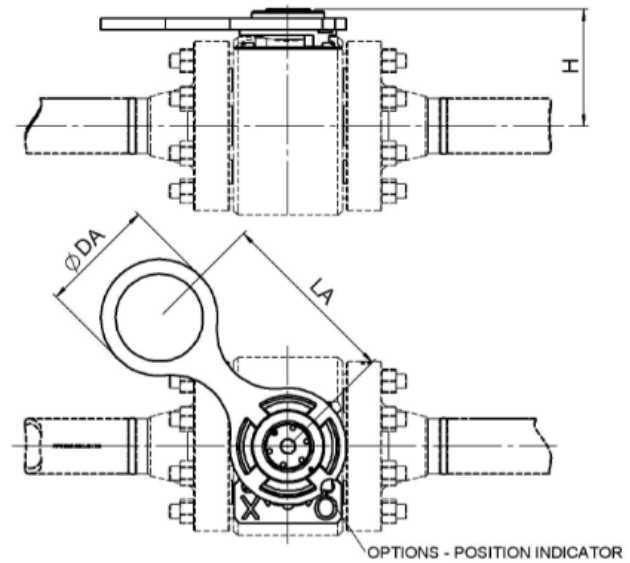
Maximum allowable torque; Class 3 = 1355 Nm; Class 4 = 2711 Nm

(42) T-HANDLE for ROV manipulator



SIZE – DN	46	TBA	TBA
H [mm]	180	-	-
MAX. TORQUE [Nm]	400	-	-
WEGHT [kg]	1,2	-	-

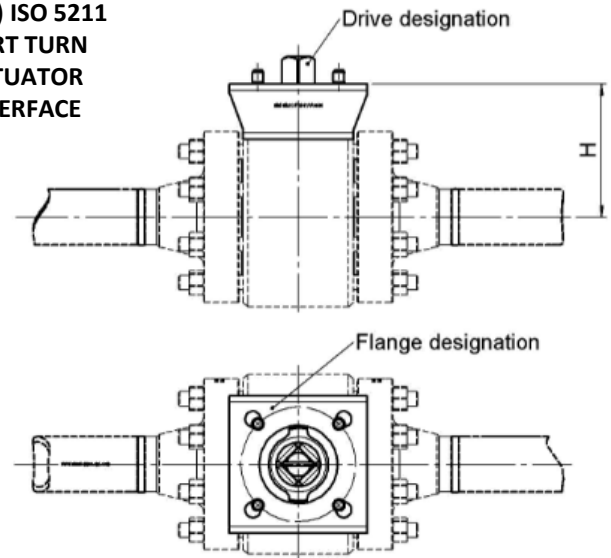
(44) LEVER ARM for ROV manipulator



SIZE – DN	46	TBA	TBA
H [mm]	128	-	-
DA [mm]	128	-	-
LA [mm]	200	-	-
MAX. PULL / PUSH [N]	2000	-	-
WEGHT [kg]	2,5	-	-

Lever arm, coated with orange Xylan (Teflon)

**(49) ISO 5211
PART TURN
ACTUATOR
INTERFACE**



SIZE – DN	46	TBA	TBA
H [mm]	145	-	-
FLANGE DESTIGNATION	F12-Y- F14-N-	-	-
DRIVE DESTIGNATION	D-27 D-36	-	-
WEGHT [kg]	3,6	-	-